

FILTRAPOND

5 YEAR
GUARANTEE
3+2 WITH ONLINE
REGISTRATION

ENERGY
SAVING



Designed
Produced
in Italy

The FILTRAPOND filters range is designed for easy and practical use in ponds. With a 4 stages filtration system incorporated, this range is ideal to achieve and maintain crystal and healthy water in a short time. FILTRAPOND has a large surface area filter pads for an efficient **mechanical filtration**, special porous material stones in addition to activate **biological filtration** and UV-C clarifier to control algae and keep the water clear.

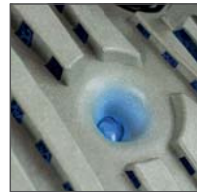
1500 • 2500 • 4000



ALL INCLUDED



- Indicator light for UV-C clarifier.



- Ball joint to adjust fountain direction.



- Energy efficient pump.



- DIY ready 4 types of filtration.



- Small channels to drain water when removing from pond.



- Top suction grid with anti-clog design.



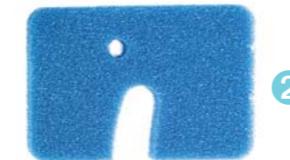
- Fountain nozzle options with telescopic riser and diverter.

APPLICATIONS



OUTDOOR & POND

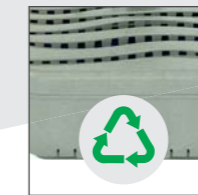
HIGH PERFORMANCE 4 STAGES FILTRATION SYSTEM



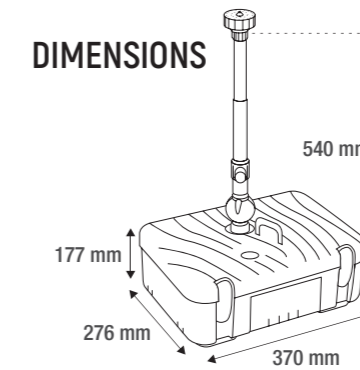
- 1 Mechanical pre-filtration.
- 2 Mechanical filtration with 20 ppi foam.
- 3 Biological filtration.
- 4 UV-C clarifier to control algae.

LOOK AT

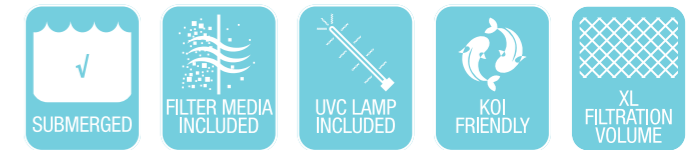
- Recycled plastic case.



DIMENSIONS



FOCUS ON



NOZZLES



* Optional water plays jet

TECHNICAL DATA	1500	2500	4000
Suggested pond size	Shaded pond without fish: up to 3000 L 	Shaded pond without fish: up to 6000 L 	Shaded pond without fish: up to 10000 L
	Not shaded pond with fish: up to 1500 L	Not shaded pond with fish: up to 3000 L	Not shaded pond with fish: up to 5000 L
	220 - 240 V • 50Hz		
Max flow rate pump	1500 l/h	2500 l/h	3800 l/h
Head max	2,3 m	2,5 m	3,1 m
Filtration area	2000 cm ²		
Watt	35 W	60 W	70 W
UV-C lamp	7 W	9 W	13 W
Cable length	10,0 m 1 CABLE FOR PUMP AND LIGHT		